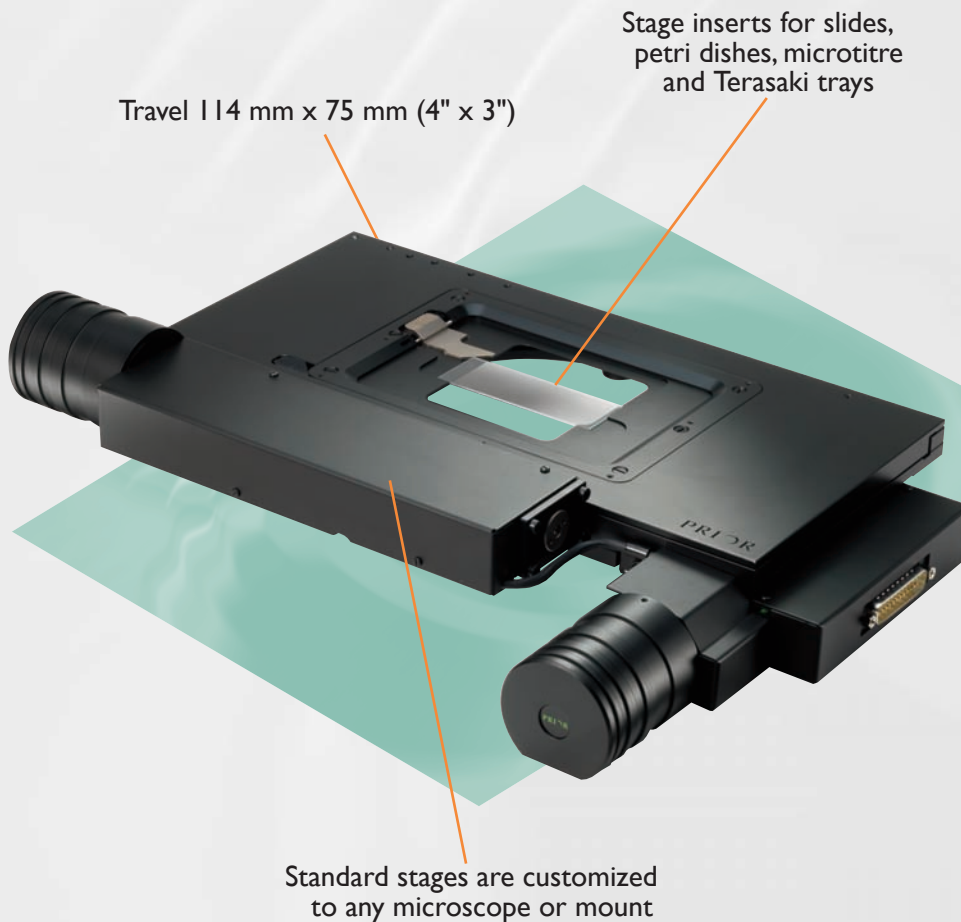


H101A Stage

4"x3" Travel, Programmable, Motorized Stepper Stage for Upright Microscopes

Features



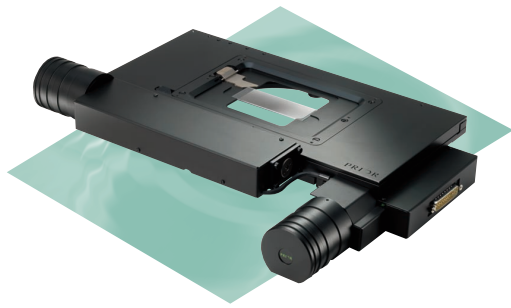
The H101A ProScan™II stage from Prior Scientific is adaptable to virtually any microscope or optical system. The H101A stage enables the user to increase labor efficiency by automatically scanning your specimens and storing points for later recollection and inspection with unmatched repeatability. The H101A is ideal for scanning or inspection of slides, microtitre trays, semiconductor wafers, or metallurgical specimens in any sort of pattern, including raster, snake and random patterns. The H101A ProScan™II stage also incorporates the patented - Intelligent Scanning Technology (IST)®. In conjunction with extensive testing, IST allows each stage to be pre-programmed with a unique set of operating characteristics particular to that stage to ensure optimum performance. IST allows the ProScan™II controller to make any required adjustments to maintain superior orthogonally and metric accuracy.

The H101A features:

- Travel 114 mm x 75 mm (4" x 3")
- Optional 50nm linear scales provide the highest precision available
- Minimum step size (resolution) of the stage is 0.01 microns
- Standard stages are customized to any microscope or mount
- Stage inserts for slides, petri dishes, microtitre and Terasaki trays

Prior stages have a well-deserved reputation for quality and repeatability. They are manufactured using the highest quality components: precision bearings, zero backlash recirculating ball screws, X and Y limit switches, two high precision stepper motors even a tough scratch resistant coating. They are available with standard and custom sample holders to suit the user's application and requirements. Stages can be driven by the Prior series of motor controllers or compatible systems in existing OEM configurations.

H101A Stage



4"x3" Travel, Programmable, Motorized Stepper Stage for Upright Microscopes

Standard Sample Holders



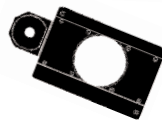
Glass Plate



Single Slide Holder



Four Slide Holder



Motorized Rotating Holder



Custom Configurations

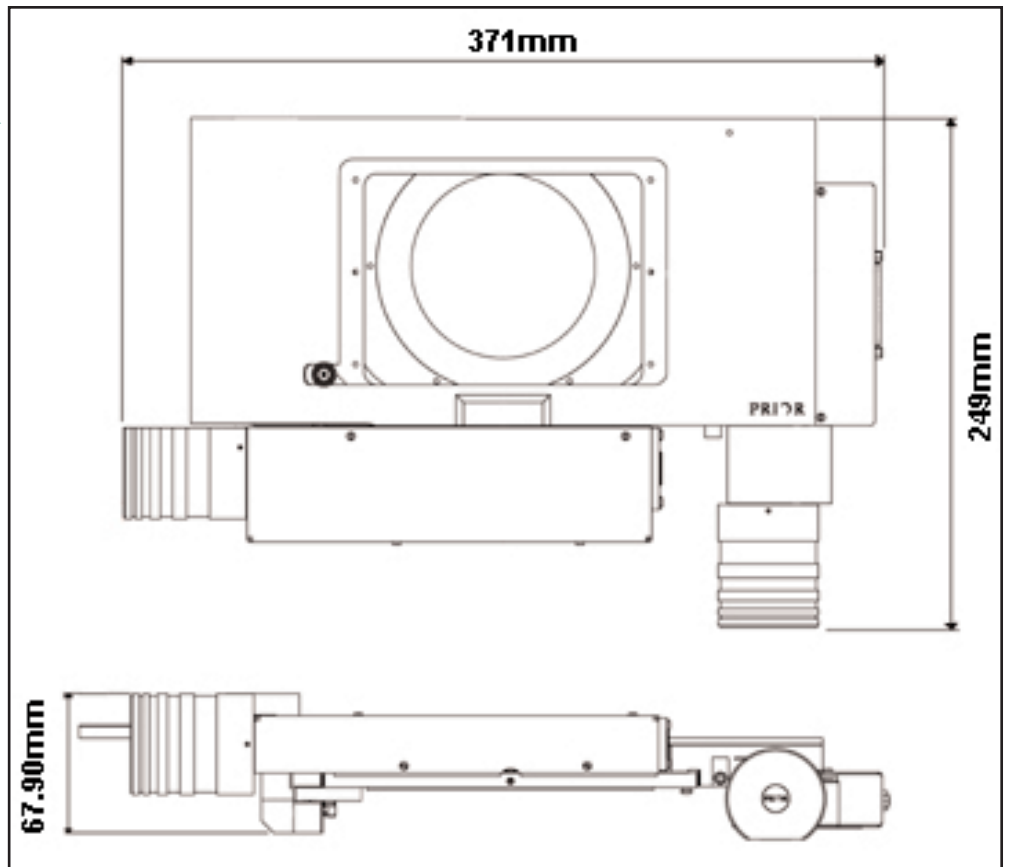
Ordering Information

Stage:
H101A Specify Microscope Make and Model

Sample Holder:
H220 Glass Plate
H224 Single Slide 1"x3"
H237 Single Slide 2"x3"
H234 Four Slide
H240 Motorized Rotating Holder
H230 Aluminum Plate

Please contact Prior Scientific for custom sample holders.

Options:
HK01 Manual Override Knobs
H101JENK Linear Encoders



Dimensions in millimeters.

General Specifications

Travel Range 114 mm x 75 mm (4" x 3")
XY Repeatability* 0.75 μ m
Minimum Step Size (Resolution) 0.01 μ m
Load Capacity 10 kg
Stepper Motor 4 phase, 1 amp per phase, micro stepping
Linear Slides 3 mm precision bearings
Drive Screws Zero backlash, recirculating ball screws; 2 mm pitch

Limit Switches X and Y standard
Stage Profile Approximately 25mm (1.0") with glass plate installed
Weight 3.0 kg (6.6 lbs)
Finish Electrophoretic black plate

*Specifications valid only if used with Prior Controller.

PRIOR
Scientific

PRIOR SCIENTIFIC INSTRUMENTS LTD,
UNIT 4, WILBRAHAM ROAD, FULBOURN,
CAMBRIDGE CB1 5ET
TELEPHONE 01223 881711
FAX 01223 881710

PRIOR SCIENTIFIC INC.,
80 RESERVOIR PARK DRIVE,
ROCKLAND, MA 02370-1062
TELEPHONE 781-878-8442
FAX 781-878-8736

PRIOR SCIENTIFIC INSTRUMENTS GMBH
WILDENBRUCHSTR. 15
D-07745 JENA
TEL: +49 (0)3641 675 650
FAX: +49 (0)3641 675 651

VISIT PRIOR ON THE WEB AT www.prior.com

Specifications subject to change without notice.

